

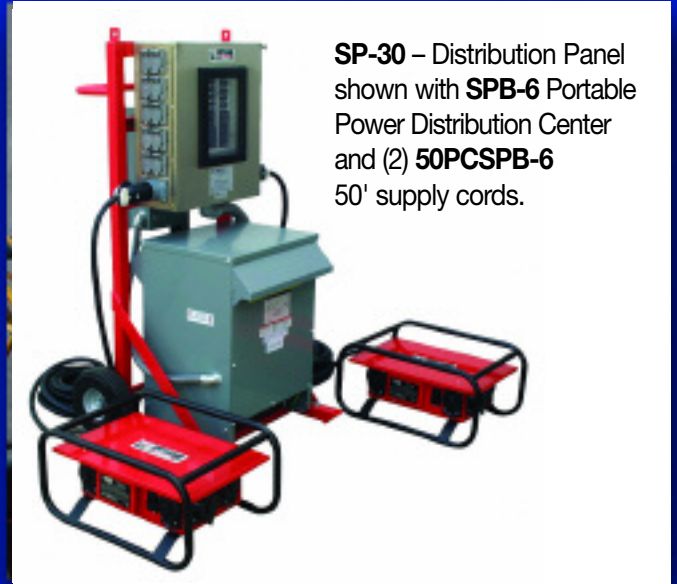


POWER DISTRIBUTION PANELS





INDUSTRIAL EQUIPMENT RENTAL & SERVICE



SP-30 – Distribution Panel shown with **SPB-6** Portable Power Distribution Center and (2) **50PCSPB-6** 50' supply cords.



All 20 amp and 50 amp breakers are equipped with built-in G.F.C.I.'s



877-44MIDLAND
SuperiorToolRental.com



SP-30 30 KVA Power Distribution Panel

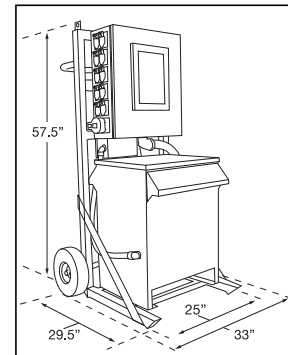
Distributes 120 and 208 volt 1-phase power

Our SP-30 is completely portable, mounted on a 2-wheel cart for effortless mobility around the jobsite and includes (2) lifting lugs on top rear of cart. Primary voltage is **480/3 phase** 100 amp main circuit breaker, which is stepped down with the 30 KVA transformer. The secondary power is 120/208 volt – 100 amp stainless weather-tight enclosure panel with a circuit breaker viewing window. (10) 120 volt – 20 amp G.F.C.I. duplex receptacles are provided for use of power tools and portable lighting. (2) 120/208 volt – 50 amp twist-lock receptacles are also included for use with our SPB-6 (for use in more remote areas where power is needed, 50' or 100' span) Portable Power Center which includes (6) 120 volt – 20 amp G.F.C.I. individually protected receptacles, along with a breaker for each duplex and a 30 amp twist-lock receptacle for any larger equipment. The SP-30 and SPB-6 are all UL listed and NEMA 3R certified.

SP-30 – Specifications

(10) 120 volt - 20 amp Hubbell G.F.C.I. duplex receptacles with spring-back weatherproof covers, all connected to 20 amp G.F.C.I. circuit breakers.

(2) 120/208 volt - 50 amp Hubbell twist-lock receptacles with spring-back weatherproof covers, both are connected to 50 amp G.F.C.I. circuit breakers.



SP-35 30 KVA Power Distribution Panel

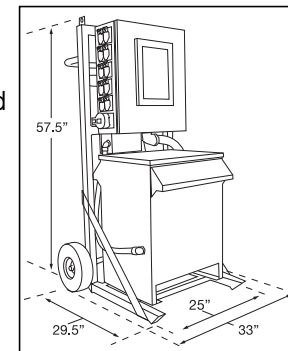
Distributes 120 and 208 volt 1-phase power

Our SP-35 is completely portable, mounted on a 2-wheel cart for effortless mobility around the jobsite and includes (2) lifting lugs on top rear of cart. Primary voltage is **600/3 phase** 100 amp main circuit breaker, which is stepped down with the 30 KVA transformer. The secondary power is 120/208 volt – 100 amp stainless steel weather-tight enclosure panel with a circuit breaker viewing window. (10) 120 volt – 20 amp G.F.C.I. duplex receptacles are provided for use of power tools and portable lighting. (2) 120/208 volt – 50 amp twist-lock receptacles are also included for use with our SPB-6 (for use in more remote areas where power is needed, 50' or 100' span) Portable Power Center which includes (6) 120 volt – 20 amp G.F.C.I. individually protected receptacles, along with a breaker for each duplex and a 30 amp twist-lock receptacle for any larger equipment. The SP-35 and SPB-6 are all UL listed and NEMA 3R certified.

SP-35 – Specifications

(10) 120 volt - 20 amp Hubbell G.F.C.I. duplex receptacles with spring-back weatherproof covers, all connected to 20 amp G.F.C.I. circuit breakers.

(2) 120/208 volt - 50 amp Hubbell twist-lock receptacles with spring-back weatherproof covers, both are connected to 50 amp G.F.C.I. circuit breakers.



SP-45 45 KVA Power Distribution Panel

Distributes 120 and 208 volt 1-phase power

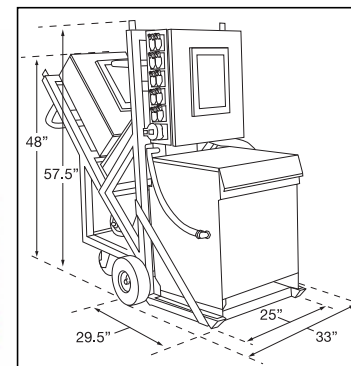
Our SP-45 is completely portable, mounted on a 2-wheel cart with rear swivel casters for effortless mobility around the jobsite and includes (2) lifting lugs on top rear of cart. Primary voltage is **480/3 phase** 100 amp main circuit breaker, which is stepped down with the 45 KVA transformer. The secondary power is 120/208 volt – 100 amp stainless steel weather-tight enclosure panel with a circuit breaker viewing window. (10) 120 volt – 20 amp G.F.C.I. duplex receptacles are provided for use of power tools and portable lighting. (2) 120/208 volt – 50 amp twist-lock receptacles are also included for use with our SPB-6 (for use in more remote areas where power is needed, 50' or 100' span) Portable Power Center which includes (6) 120 volt – 20 amp G.F.C.I. individually protected receptacles, along with a breaker for each duplex and a 30 amp twist-lock receptacle for any larger equipment.

The SP-45 and SPB-6 are all UL listed and NEMA 3R certified.

SP-45 – Specifications

(10) 120 volt - 20 amp Hubbell G.F.C.I. duplex receptacles with spring back weatherproof covers, all connected to 20 amp G.F.C.I. circuit breakers.

(2) 120/280 volt - 50 amp Hubbell twist-lock receptacles with spring-back weatherproof covers, both are connected to 50 amp G.F.C.I. circuit breakers.



SP-75 75 KVA Power Distribution Panel



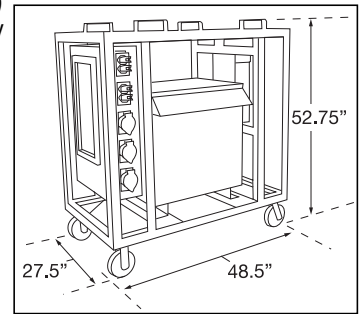
Distributes 120 and 208 volt 1-phase power

Our SP-75 is completely mobile, mounted on 4-wheel cart with (4) lifting brackets mounted on the corners of the cart. Primary voltage is **480/3 phase** 100 amp main circuit breaker, which is stepped down with the 75 KVA transformer. The secondary power is 120/208 volt – 20 amp stainless steel weather-tight enclosure panel with a circuit breaker viewing window. (4) 120 volt – 20 amp G.F.C.I. duplex receptacles are provided for use of power tools and portable lighting. (6) 120/208 volt – 50 amp twist-lock receptacles are also included for use with our SPB-6 (for use in more remote areas where power is needed, 50' or 100' span) Portable Power Center which includes (6) 120 volt – 20 amp G.F.C.I. individually protected receptacles, along with a breaker for each duplex and a 30 amp twist-lock receptacle for any larger equipment. The SP-75 and SPB-6 are all UL listed and NEMA 3R certified.

SP-75 – Specifications

(4) 120 volt - 20 amp Hubbell G.F.C.I. duplex receptacles with spring-back weatherproof covers, all connected to 20 amp G.F.C.I. circuit breakers.

6 – 120/208 volt - 50 amp Hubbell twist-lock receptacles with spring-back weatherproof covers, both are connected to 50 amp G.F.C.I. circuit breakers.



SPB-6 Portable Power Distribution Center

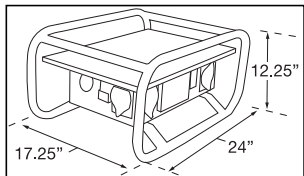


Distributes 120 volt 1-phase Power.

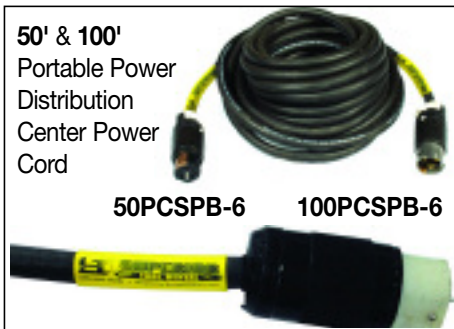
The SPB-6 is the most portable power distribution unit available in the market today. Can be set on the ground or hung from scaffolding for use right at the worksite. Roll cage design for the protection and ease of hanging the unit. (1) 120/250 volt – 50 amp feed through receptacle for providing power to the unit.

(1) 250 volt –30 amp non-G.F.C.I. receptacle. (6) 120 volt – 20 amp G.F.C.I.

individually protected receptacles along with its own breaker panel. UL listed.



50' & 100'
Portable Power
Distribution
Center Power
Cord



50PCSPB-6

100PCSPB-6

CABLE COILING MACHINE



SP-480304 Power Distribution Panel



Distributes 480 volt - 100 amp primary inlet power with main breaker distributed among (4) 30 amp 4-pin Hubbell receptacles. Mounted on a mobile 2-wheel cart for jobsite transport. Stainless steel enclosed breaker panel with 30 amp breakers and a circuit breaker viewing window. UL listed and NEMA 3R certified.

SP-45-W 45 KVA Welder/Power Distribution Panel



Distributes 120 and 208 volt 1-phase power

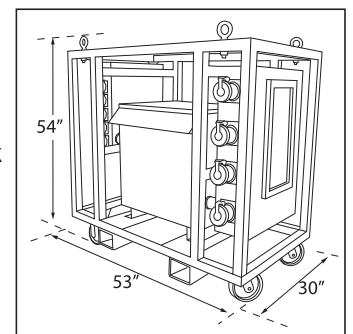
Our SP-45-W is completely mobile, mounted on a 4-wheel cart with fork pockets and (4) lifting lugs mounted to the top corners of the cart. Primary voltage is **480/3 phase** 100 amp, with a 60 amp 3 pole breaker to feed a 45 KVA transformer. The secondary power is 120/208 volt – 200 amp stainless steel weather-tight enclosure panel with a circuit breaker viewing window. (10) 120 volt – 20 amp G.F.C.I. duplex receptacles are provided for use of power tools and portable lighting. (2) 120/208 volt – 50 amp twist-lock receptacles are also included for use with our SPB-6 (for use in more remote areas where power is needed, 50' or 100' span) Portable Power Center includes (6) 120 volt – 20 amp G.F.C.I. individually protected receptacles, along with a breaker for each duplex and a 30 amp twist-lock receptacle for any larger equipment. (8) 120/208 volt – 50 amp 4-pin receptacles with screw-on weatherproof covers, both are connected to 2-pole 50 amp circuit breakers. The SP-45-W and SPB-6 are all UL listed and NEMA 3R certified.

SP-45-W – Specifications

(10) 120 volt – 20 amp Hubbell G.F.C.I. duplex receptacles with spring-back weatherproof covers, all connected to 20 amp G.F.C.I. circuit breakers.

(2) 120/208 volt – 50 amp Hubbell twist-lock receptacles with spring-back weatherproof covers, both are connected to 50 amp G.F.C.I. circuit breakers.

(8) 480 volt – 60 amp 4-pin receptacles with screw-on weatherproof covers, both are connected to 2-pole 60 amp circuit breakers.



POWER DISTRIBUTION PANELS



INDUSTRIAL EQUIPMENT RENTAL & SERVICE

877-44MIDLAND • SuperiorToolRental.com